



COPY OF PAPERS  
ORIGINALLY FILED

Fig.1.

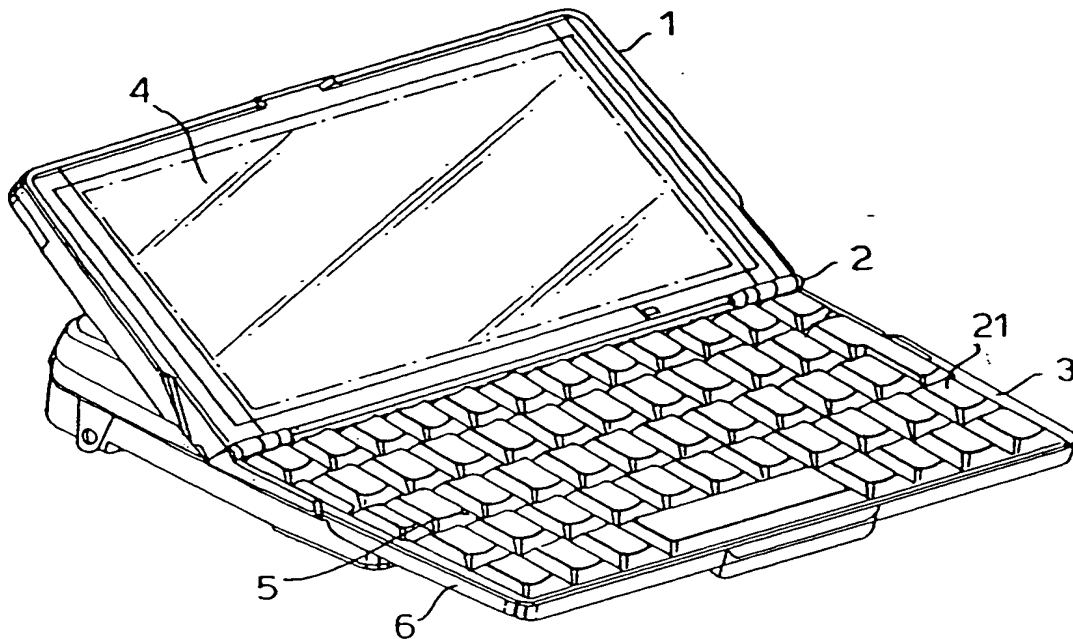
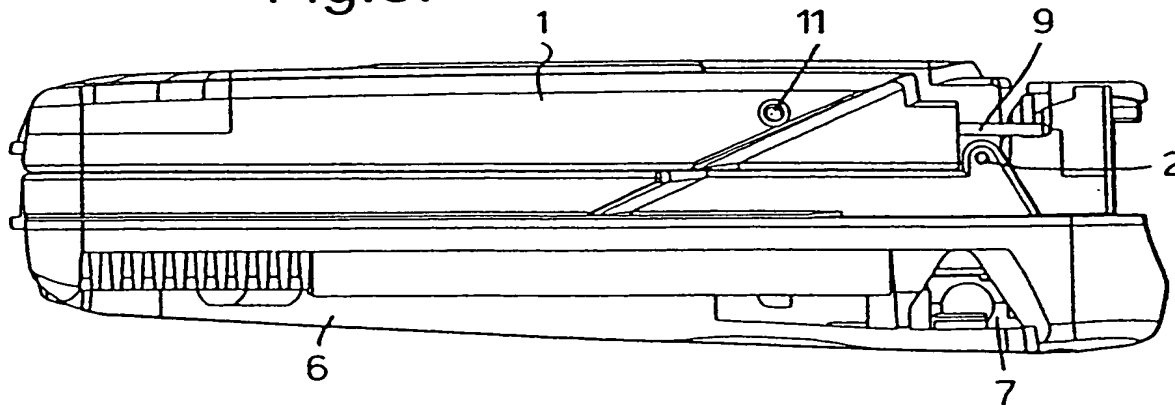


Fig.3.

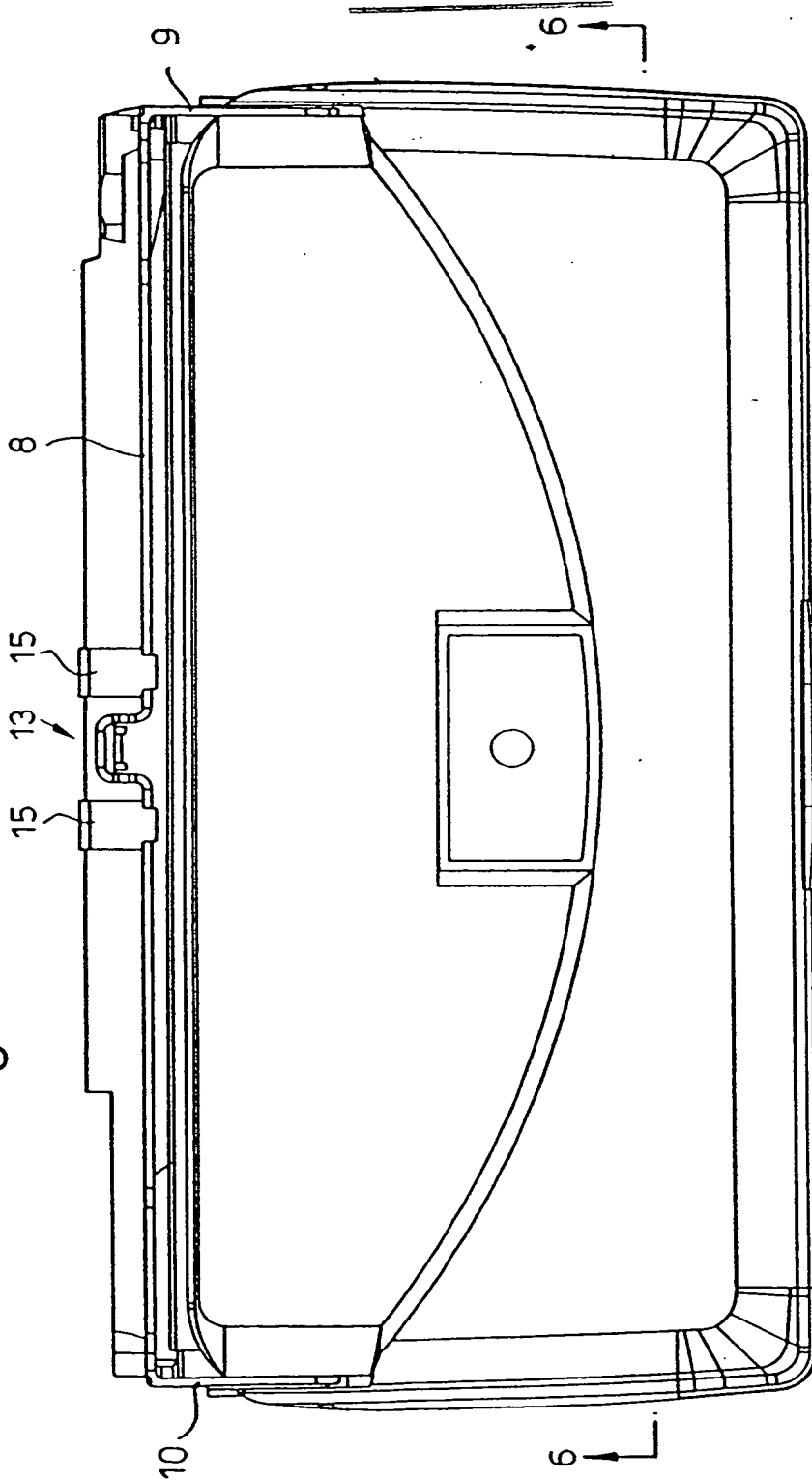




COMPUTER WITH A PEN OR TOUCH SENSITIVE DISPLAY  
Martin Philip Riddiford  
Appl. No.: 10/005,751 Atty Docket: PSION.ICP1C1

COPY OF PAPERS  
ORIGINALLY FILED

Fig.2.





COMPUTER WITH A PEN OR TOUCH SENSITIVE DISPLAY  
Martin Philip Riddiford  
Appl. No.: 10/005,751 Atty Docket: PSION.1CPIC1

NOV 14 2002  
U.S. PATENT & TRADEMARK OFFICE

COPY OF PAPERS  
ORIGINALLY FILED

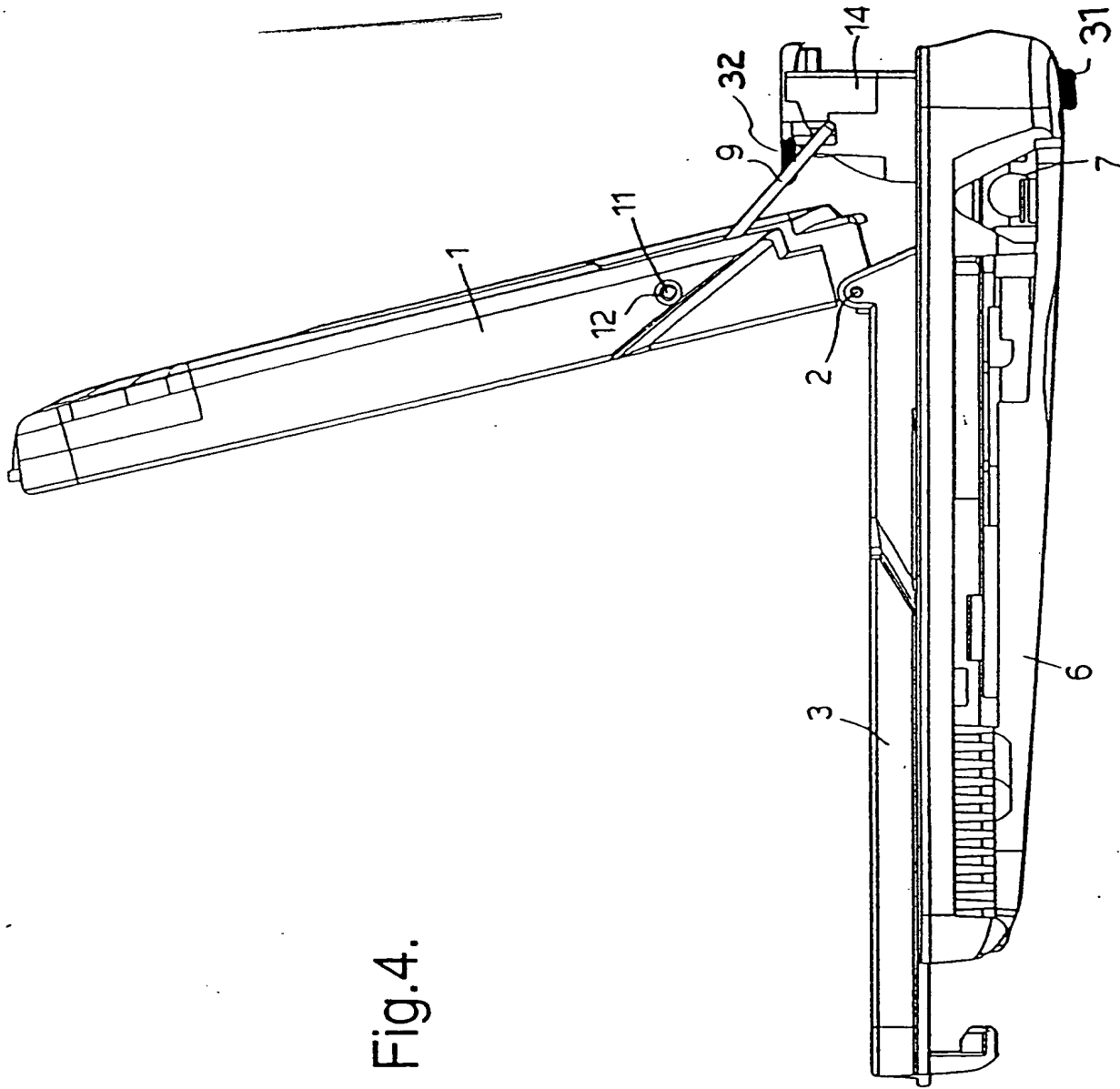


Fig.4.



COPY OF PAPERS  
ORIGINALLY FILED

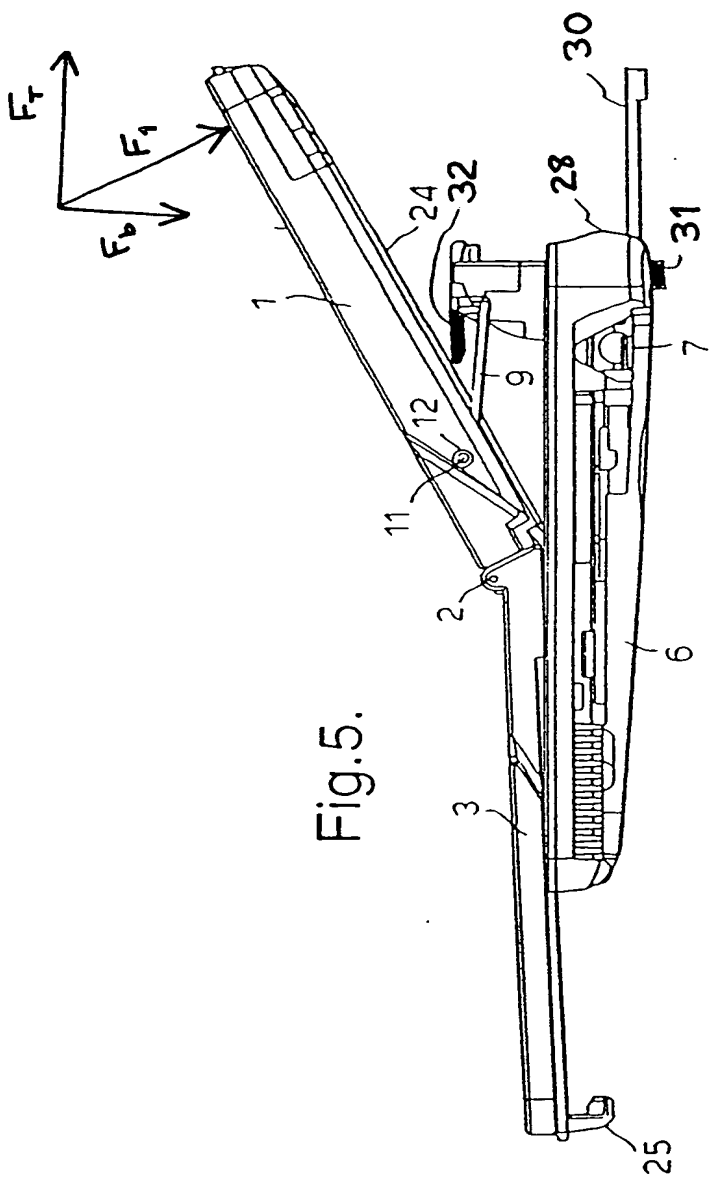


Fig. 5.

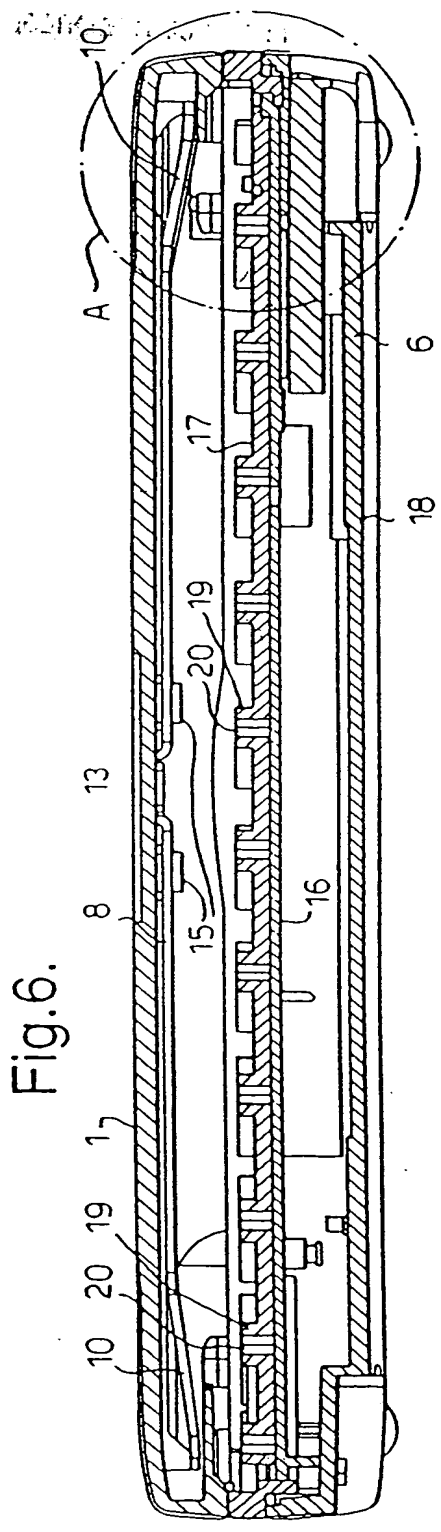


Fig. 6.



COMPUTER WITH A PEN OR TOUCH SENSITIVE DISPLAY  
Martin Philip Riddiford  
Appl. No.: 10/005,751 Atty Docket: PSION.ICP1C1

COPY OF PAPERS  
ORIGINALLY FILED

Fig.7.

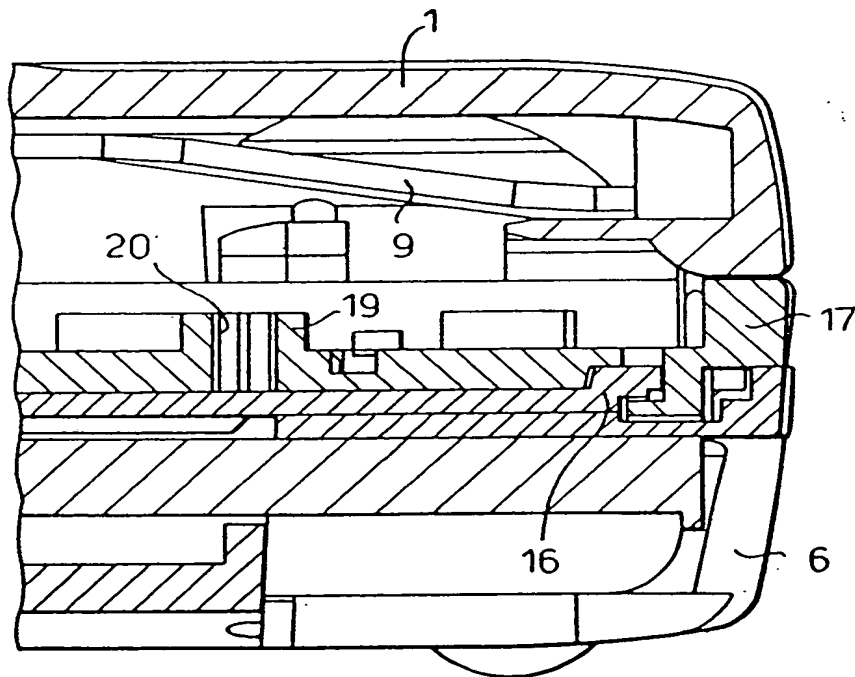




Fig. 8a.

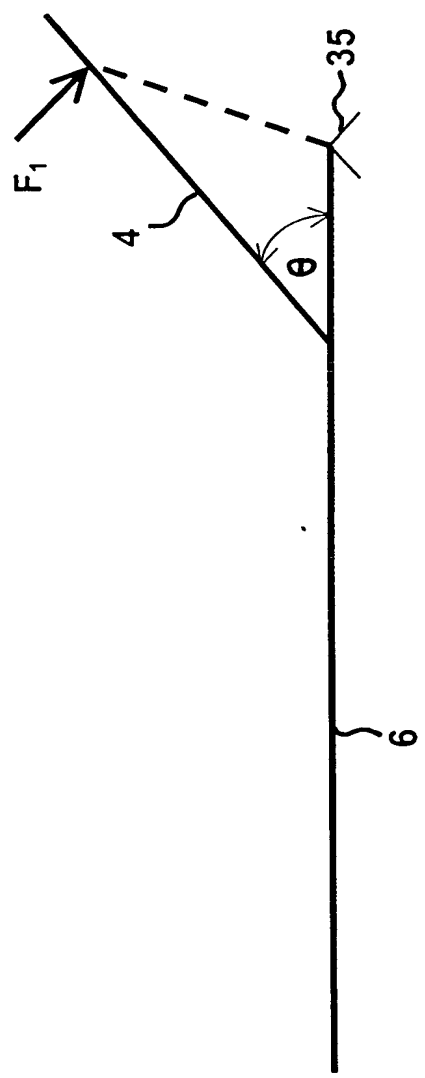


Fig. 8b.

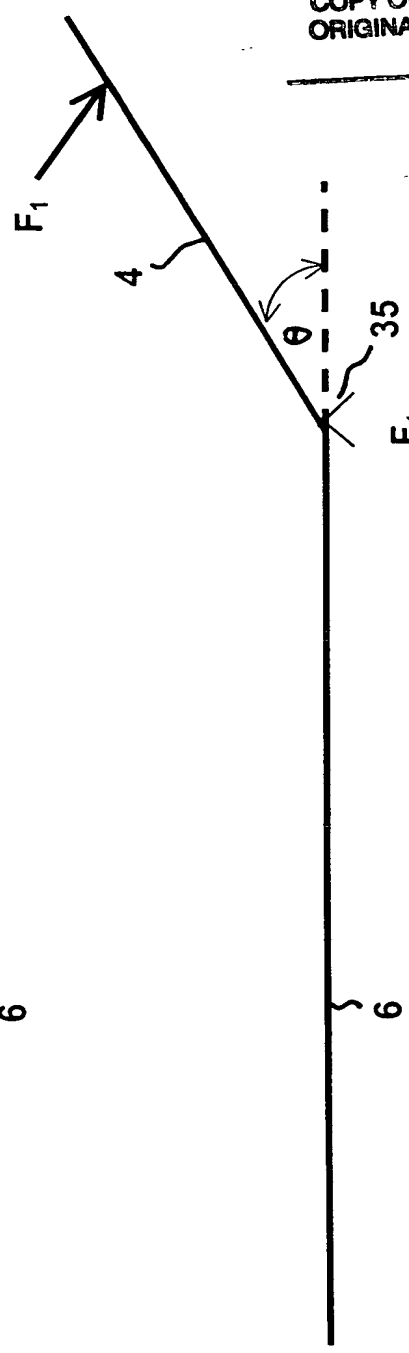


Fig. 8c.

